

4

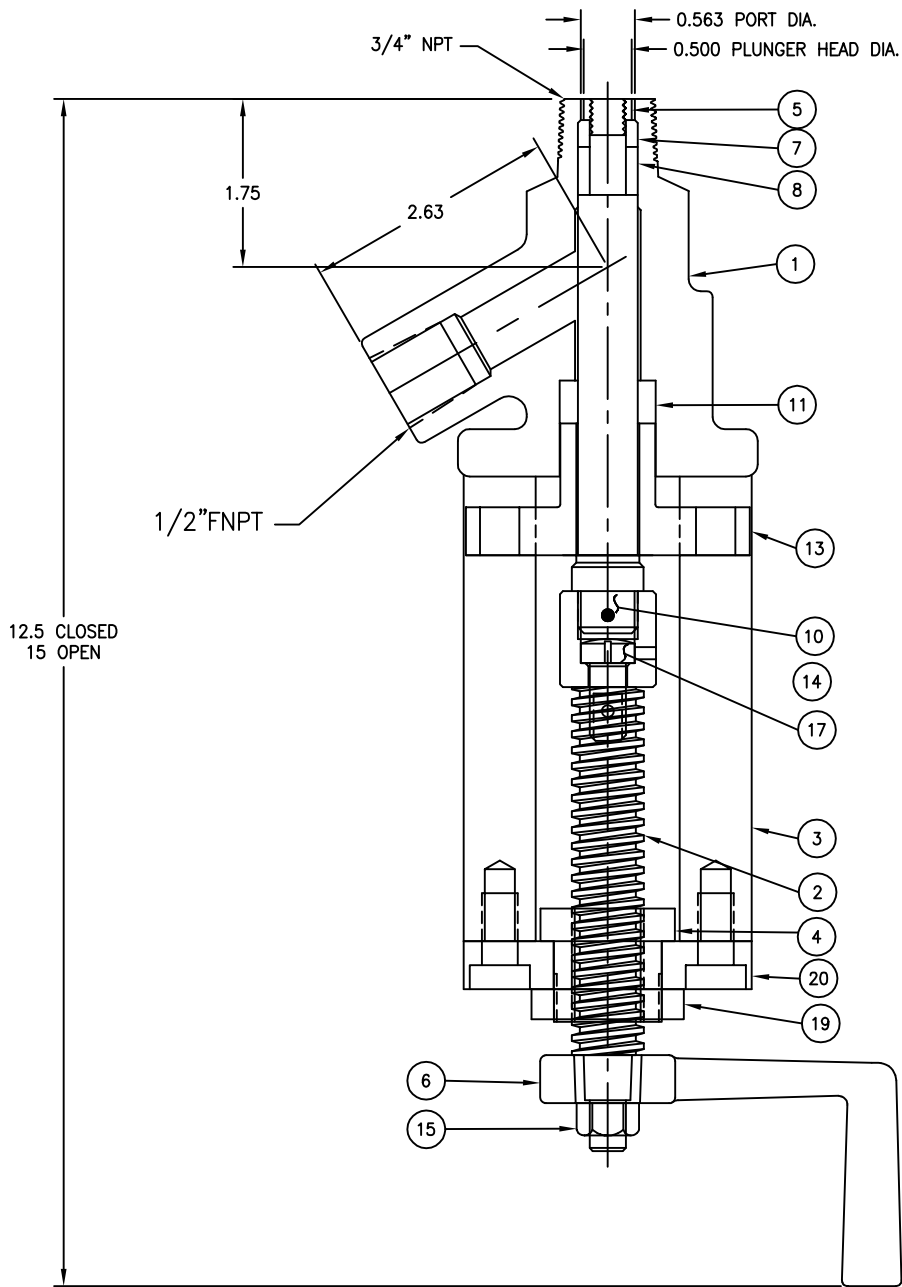
3

2

1

D  
C  
B  
A

D  
C  
B  
A



NO.	DESCRIPTION	MATERIAL
1	BODY	STAINLESS STEEL, TYPE 316
2	STEM	STAINLESS STEEL
3	YOKE POST	STAINLESS STEEL, TYPE 303
4	YOKE BUSHING	ALUMINUM BRONZE
5	PLUNGER HEAD NUT	STAINLESS STEEL, TYPE 316
6	HANDLE	STAINLESS STEEL, TYPE 304
7	COMPRESSION RING	STAINLESS STEEL, TYPE 316
8	SEAL RING	TEFLON
10	PLUNGER	STAINLESS STEEL, TYPE 316
11	PACKING RING SET	TFE/KEY BRAID
13	GLAND FLANGE	STAINLESS STEEL, TYPE 304
14	PLUNGER DRIVE BUSHING	STAINLESS STEEL, TYPE 416
15	STEM NUT	ASTM A-194 GR-2H
17	STEM BUTTON	DUPLEX SS, TYPE 2205
19	YOKE NUT	STAINLESS STEEL, TYPE 416
20	YOKE DECK	STAINLESS STEEL, TYPE 304

● RECOMMENDED SPARE PARTS

12.5 CLOSED  
15 OPEN

**TRETTER MANUFACTURING**  
LANSDALE, PA

**3/4" PLUNGER SEAL  
SAMPLING VALVE**

SCALE: <b>C</b>	DRAWN: <b>MS</b>	CHECKED: <b>NTS</b>	APPROVED: <b>3/24/2009</b>	DWG NUMBER: <b>100247</b>
REV: <b>1</b>	DESCRIPTION: <b>REVISIONS</b>	BY: <b>2</b>	ZONE: <b>1</b>	DATE: <b>1</b>

REV	DESCRIPTION	BY	ZONE	DATE	APPROVED

1/2"

4

3

2

1